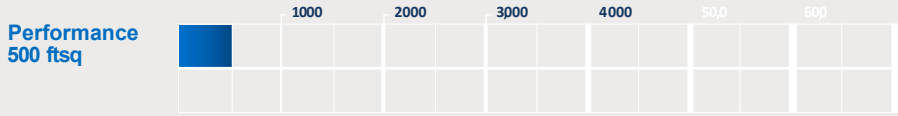


RadicalTek Environmental In-TeK 500

In-TeK 500



HVAC SYSTEM

Description

- Natural air treatment system that can be installed on a duct or "plenum"
- Discreet or hidden installation
- Optional 120 or 220 volt installation
- UV lamp monitoring indicator included
- Minimal maintenance - requires minimal cleaning

Application

- Any building with problems related to odors, visible smoke, or microbial populations on the surfaces, where ducts are already present
- Bars and restaurants
- Hospital rooms, clean rooms and laboratories
- Businesses and office buildings

Technology

Radicaltek Environmental In-TeK 500 consistently reduces odors, visible smoke in the air, and microbial populations in the air and on surfaces, using PCO technology (RCI).

PCO Technology consists of a special ultraviolet light and a target photocatalyst, creating an Advanced Oxidation Process, containing numerous beneficial oxidants.

In-TeK 500	YD-500 5IN
Electrica feature	AC/DC power adaptor 12 V - 100V-240V/50-60Hz
Technology	PCO Technology
Coverage	Up to 500 ftsq 12 Watt
Weight	2,00 lb 1,00 kg
Dimensions	10.5" L x 2.25" W x 1.25" H 26cm L x 6cm W x 3cm H

The ideal use of the INDUCT 500 is with insertion inside the ducts of the “stand-alone” or “wall-mounted” air handling units.

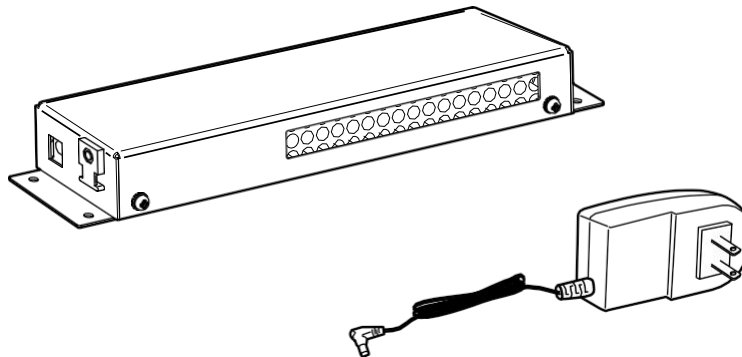
Places of employment

- HOTEL ROOMS
- ROOMS OF HOUSES
- FOOD AND PUBLIC TRANSPORT SECTOR
- ENERGY EFFICIENT APARTMENTS
- ROOMS OF NURSING HOUSES
- HEALTHCARE OR COMMERCIAL OFFICES

Installation details

ACTIVTEK INDUCT 500 UNITS MUST BE INSTALLED INSIDE A TYPICAL WALL UNIT.

- INSTALLED IN THE DUCT, AFTER THE FAN.
- RECOMMENDED AIRFLOW FOR OPTIMAL USE: 7.07 CUBIC METERS PER MINUTE
- PLEASE CONTACT YOUR DISTRIBUTOR AND COMMUNICATE BRAND AND MODEL TO RECEIVE SPECIFIC INSTRUCTIONS REGARDING COMPATIBILITY AND INSTALLATION.
- INSTALLATION MUST BE PERFORMED BY QUALIFIED HVAC PERSONNEL.



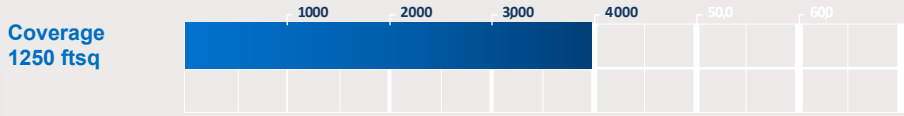
DANGER

DANGER: Never look directly at the unit while it is in operation. The activTek INDUCT 500 uses high intensity ultraviolet light, which can cause eye damage. Always install the INDUCT 500 at least 61cm behind the opening.

Conceal the unit as needed to prevent direct eye contact with it. Always use approved safety equipment when working near ultraviolet light.

RadicalTek Environmental In-TeK 750

In-TeK 750



SISTEMA HVAC

Description

- Natural air treatment system that can be installed on a duct or "plenum"
- Discreet or hidden installation
- Optional 120 or 220 volt installation
- UV lamp monitoring indicator included
- Minimal maintenance - requires minimal cleaning

Application

- Any building with problems related to odors, visible smoke, or microbial populations on surfaces, where ducts are already present
- Bars and restaurants
- Hospital rooms, clean rooms and laboratories
- Businesses and office buildings

Technology

Radicaltek Environmental In-TeK 750 consistently reduces odors, visible smoke in the air, and microbial populations in the air and on surfaces, using PCO technology (RCI).

PCO Technology consists of a special ultraviolet light and a target photocatalyst, creating an Advanced Oxidation Process, containing numerous beneficial oxidants.

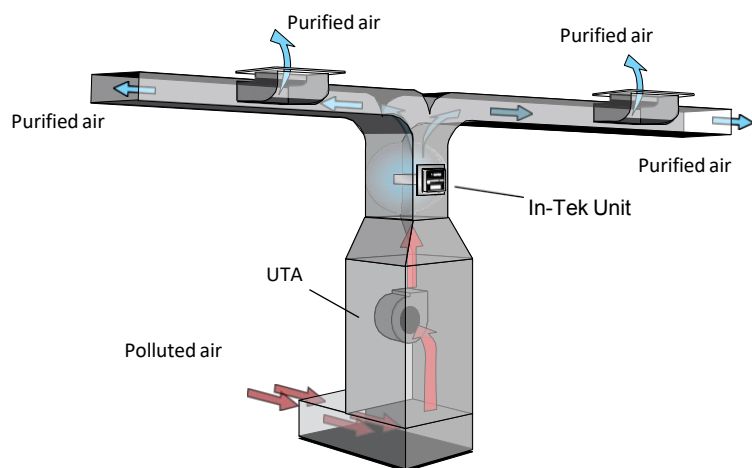
In-TeK 750	YD-720 5IN
Electric feature	AC/DC power adaptor 12 V - 100V-240V/50-60Hz
Technology	PCO Technology
Dimension	5IN x 5IN x 5IN
Weight	3 libras
coverage	1250 ftsq

The In-Tek 750 is perfect for situations where accessible ducts are already present or will be installed, and in cases where the minimum need for maintenance and no cleaning, or discreet installation can be an advantage.

Application

- Homes
- Commercial offices
- Nursing homes
- Energy efficient apartments
- Hospital rooms and operating rooms
- Reception of hotels and restaurants

Installation Details



RadicalTek Environmental's In-Tek 750 unit can be installed in any HVAC system, directly in the plenum or directly above the air handling unit in remote or "downstream" locations. If multiple units are installed in the same area of the plenum, stagger the installations so that all units receive direct airflow.

1. It will be necessary to cut an opening of about 10cm in the existing duct for the correct installation of the unit.
2. The unit must be installed after the air handling unit in the HVAC system.

3. Portions of duct surrounding the installation area should be clean and dry to ensure proper adhesion of the gasket materials and tape used.

Electrical requirements:

- To use the 120 volt plug, be sure to place the unit less than 1.80m away from a grounded 120 volt outlet.
- Long-term use of an extension cord is not recommended for safety reasons.

Installation must be performed by qualified HVAC personnel.

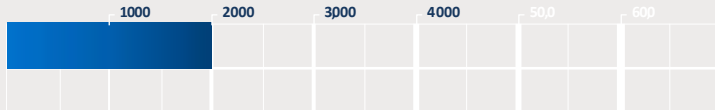
RadicalTek Environmental In-Tek 2000

In-Tek 2000



SISTEMA HVAC

Coverage
2000 ftsq



Description

- Natural air treatment system that can be installed on a duct or "plenum"
- Discreet or hidden installation
- Optional 120 or 220 volt installation
- UV lamp monitoring indicator included
- Minimal maintenance - requires minimal cleaning

Application

- Any building with problems related to odors, visible smoke, or microbial populations on surfaces, where ducts are already present
- Bars and restaurants
- Hospital rooms, clean rooms and laboratories
- Businesses and office buildings

Technology

Radicaltek Environmental In-Tek 2000 consistently reduces odors, visible smoke in the air, and microbial populations in the air and on surfaces, using PCO technology (RCI).

PCO Technology consists of a special ultraviolet light and a target photocatalyst, creating an Advanced Oxidation Process, containing numerous beneficial oxidants.

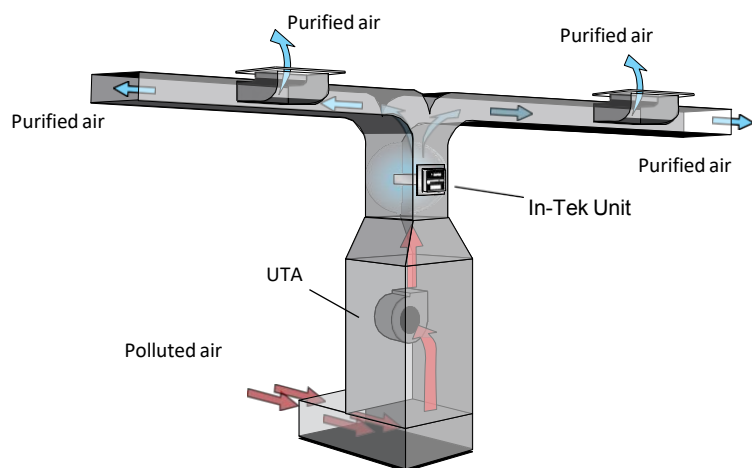
In-Tek 2000	YD-720 9IN
Electric feature	AC/DC power adaptor 12 V - 100V-240V/50-60Hz
Technology	PCO Technology
Dimension	9IN x 5IN x 5IN
Weight	3 libras
coverage	2000 ftsq

The In-Tek 750 is perfect for situations where accessible ducts are already present or will be installed, and in cases where the minimum need for maintenance and no cleaning, or discreet installation can be an advantage.

Application

- Homes
- Commercial offices
- Nursing homes
- Energy efficient apartments
- Hospital rooms and operating rooms
- Reception of hotels and restaurants

Installation Details



Typical view of an installation inside the duct.

RadicalTek Environmental's In-Tek 750 unit can be installed in any HVAC system, directly in the plenum or directly above the air handling unit in remote or "downstream" locations. If multiple units are installed in the same area of the plenum, stagger the installations so that all units receive direct airflow.

1. It will be necessary to cut an opening of about 10cm in the existing duct for the correct installation of the unit.
2. The unit must be installed after the air handling unit in the HVAC system.

3. Portions of duct surrounding the installation area should be clean and dry to ensure proper adhesion of the gasket materials and tape used.

Electrical requirements:

- To use the 120 volt plug, be sure to place the unit less than 1.80m away from a grounded 120 volt outlet.
- Long-term use of an extension cord is not recommended for safety reasons.

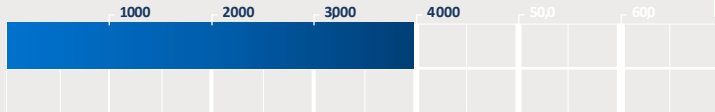
Installation must be performed by qualified HVAC personnel.

RadicalTek Environmental In-TeK 5000

In-TeK 5000



Coverage
4000 ftsq



SISTEMA
HVAC

Description

- Natural air treatment system that can be installed on a duct or "plenum"
- Discreet or hidden installation
- Optional 120 or 220 volt installation
- UV lamp monitoring indicator included
- Minimal maintenance - requires minimal cleaning

Application

- Any building with problems related to odors, visible smoke, or microbial populations on surfaces, where ducts are already present
- Bars and restaurants
- Hospital rooms, clean rooms and laboratories
- Businesses and office buildings

Technology

Radicaltek Environmental In-TeK consistently reduces odors, visible smoke in the air, and microbial populations in the air and on surfaces, using PCO technology (RCI).

PCO Technology consists of a special ultraviolet light and a target photocatalyst, creating an Advanced Oxidation Process, containing numerous beneficial oxidants.

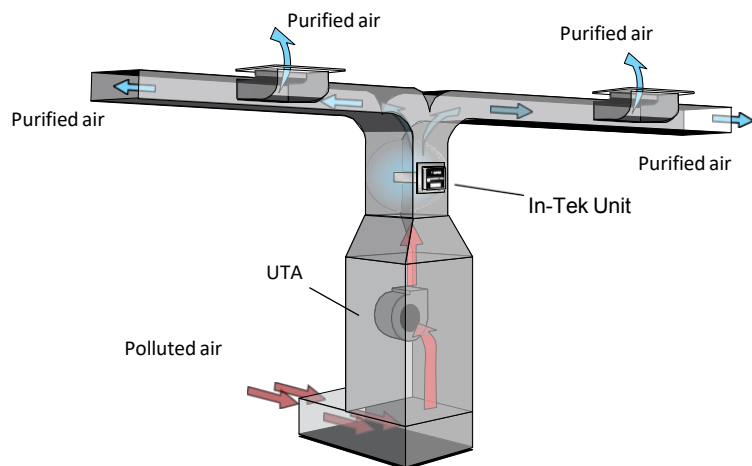
In-TeK 5000	YD-720 14IN
Electric feature	AC/DC power adaptor 12 V - 100V-240V/50-60Hz
Technology	PCO Technology
Dimension	14IN x 5IN x 5IN
Weight	3 libras
coverage	4000 ftsq

The In-Tek 750 is perfect for situations where accessible ducts are already present or will be installed, and in cases where the minimum need for maintenance and no cleaning, or discreet installation can be an advantage.

Application

- Homes
- Commercial offices
- Nursing homes
- Energy efficient apartments
- Hospital rooms and operating rooms
- Reception of hotels and restaurants

Installation Details



RadicalTek Environmental's In-Tek 750 unit can be installed in any HVAC system, directly in the plenum or directly above the air handling unit in remote or "downstream" locations. If multiple units are installed in the same area of the plenum, stagger the installations so that all units receive direct airflow.

1. It will be necessary to cut an opening of about 10cm in the existing duct for the correct installation of the unit.
2. The unit must be installed after the air handling unit in the HVAC system.

3. Portions of duct surrounding the installation area should be clean and dry to ensure proper adhesion of the gasket materials and tape used.

Electrical requirements:

- To use the 120 volt plug, be sure to place the unit less than 1.80m away from a grounded 120 volt outlet.
- Long-term use of an extension cord is not recommended for safety reasons.

Installation must be performed by qualified HVAC personnel.